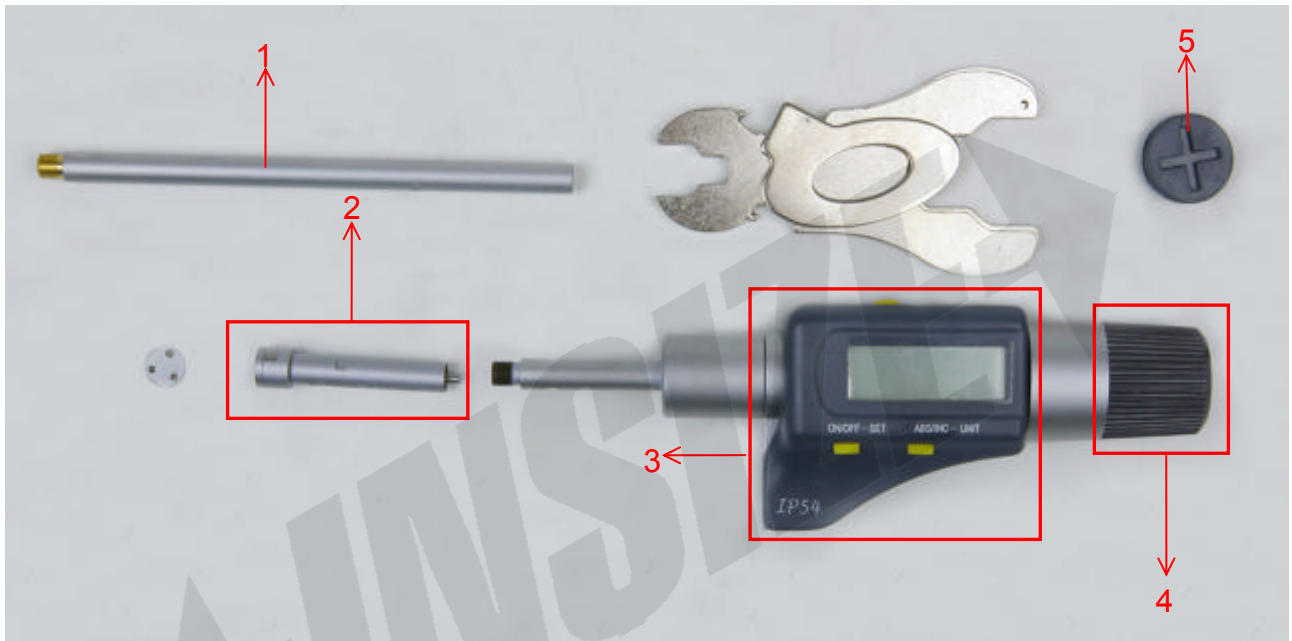


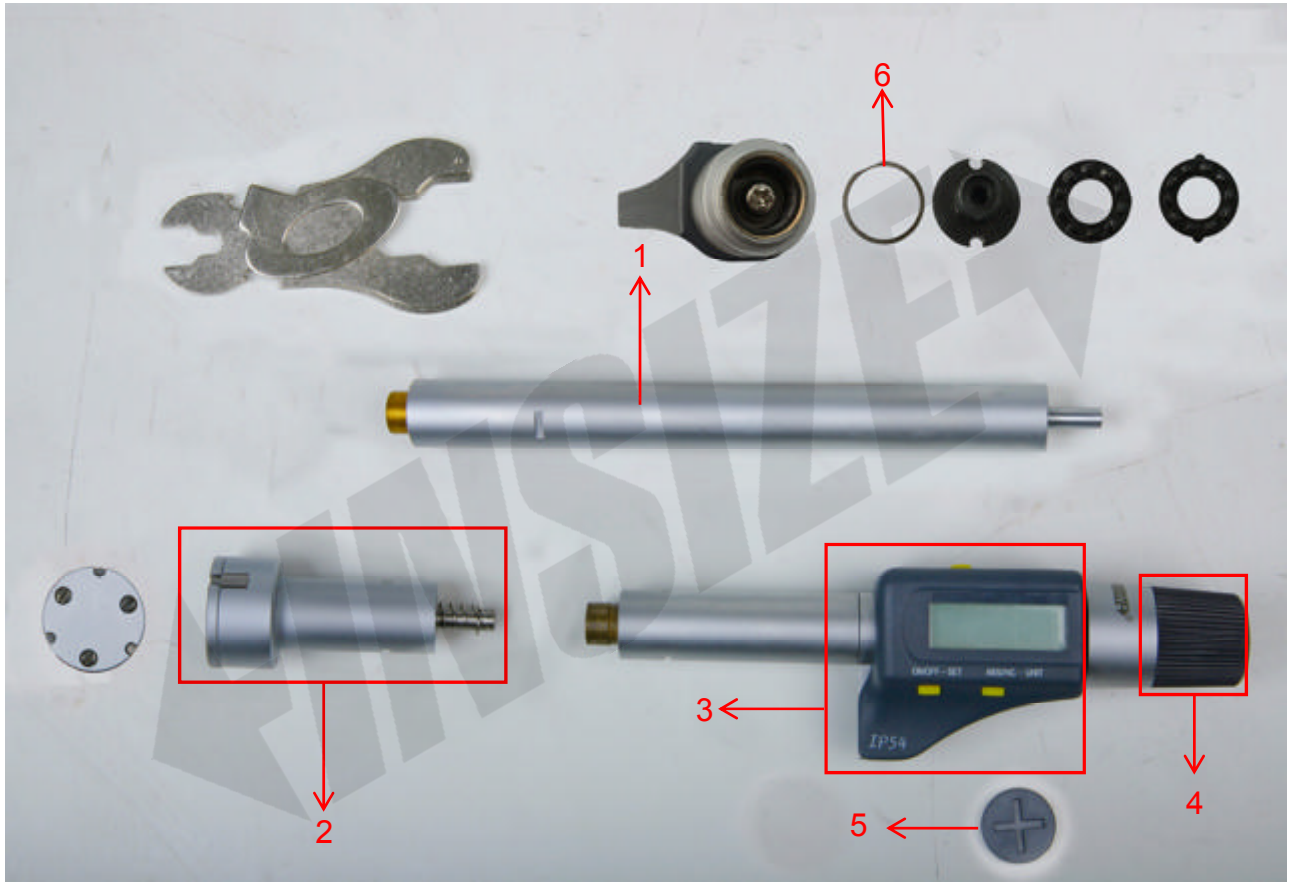
## Spare parts for digital three points internal micrometer 3127-B series



Part NO.	Code	Description
1	SP-EXTENSION ROD-3127-6	100mm Extension rod for 3127--8/-10/-12
2	SP-MEASURING HEAD-3127-8	Measuring Head (3127-8/8E)
	SP-MEASURING HEAD-3127-10	Measuring Head (3127-10/8E)
	SP-MEASURING HEAD-3127-12	Measuring Head (3127-12/12E)
3	SP-CHIP-3127	Display unit for 3127 series
4	SP-RATCHET-3127	Measuring force device (6-12mm)
5	SP-MIC-COVER	Battery cover( include rubber seal)

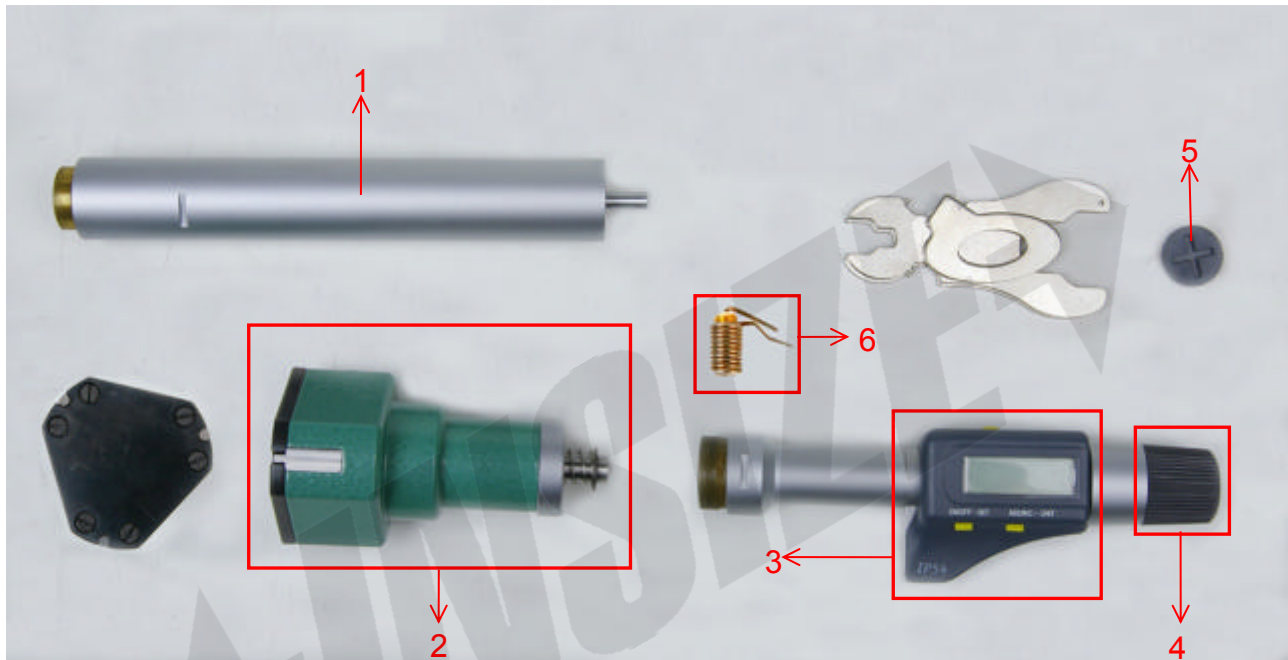
WINSIZE

## Spare parts for digital three points internal micrometer 3127-C series



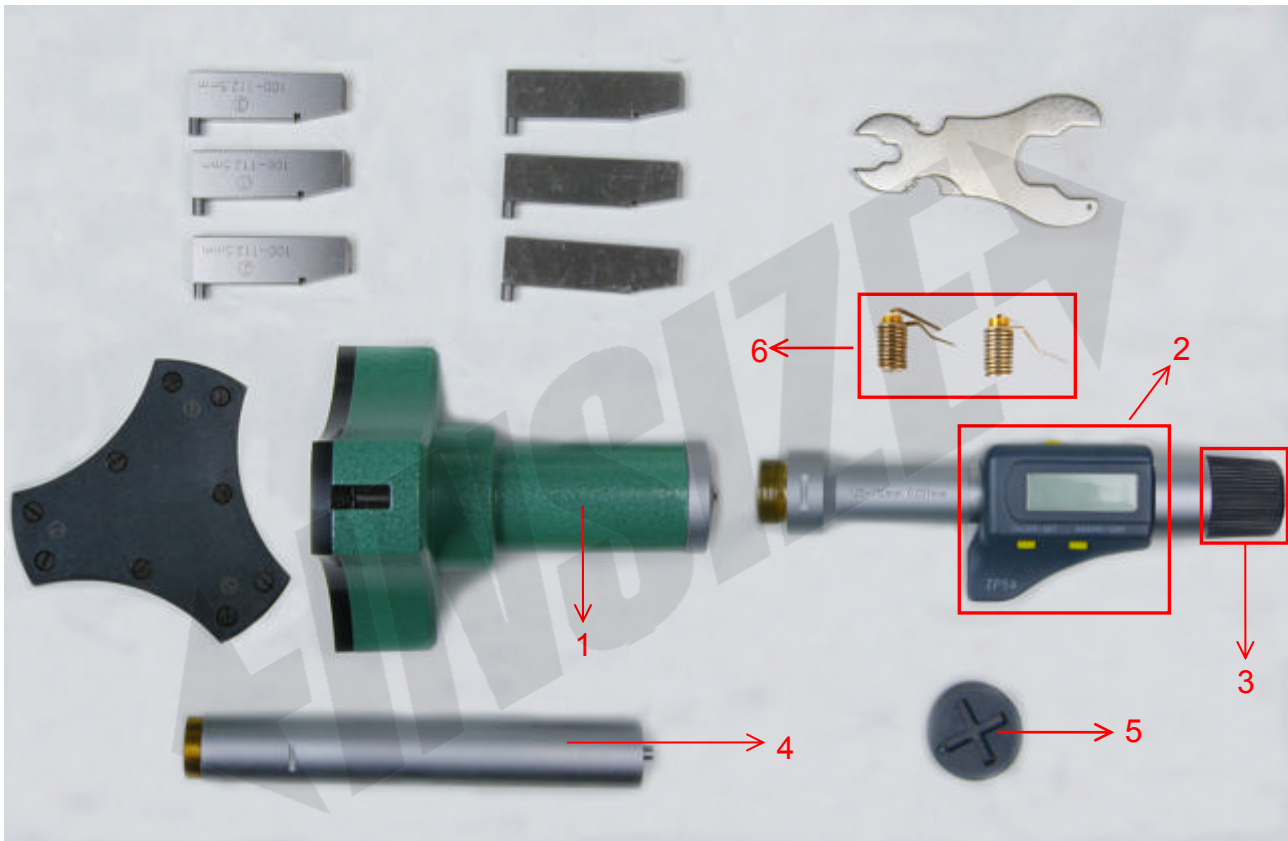
Part NO.	Code	Description
1	SP-EXTENSION ROD-3127-1	150mm Extension rod for 3127-16/-20/-16E /-20E
	SP-EXTENSION ROD-3127-2	150mm Extension rod for 3127-25/-30/-25E/-30E
	SP-EXTENSION ROD-3127-3	150mm Extension rod for 3127-40/-50/-40E/-50E
2	SP-MEASURING HEAD-3127-16	Measuring Head (3127-16/-16E)
	SP-MEASURING HEAD-3127-20	Measuring Head (3127-20/-20E)
	SP-MEASURING HEAD-3127-25	Measuring Head (3127-25/-25E)
	SP-MEASURING HEAD-3127-30	Measuring Head (3127-30/-30E)
	SP-MEASURING HEAD-3127-40	Measuring Head (3127-40/-40E)
	SP-MEASURING HEAD-3127-50	Measuring Head (3127-50/-50E)
3	SP-CHIP-3127	Display unit for 3127 series
4	SP-RATCHET-3127 -1	Measuring force device (12-20mm)
	SP-RATCHET-3127 -2	Measuring force device (20-100mm)
5	SP-MIC-COVER	Battery cover( include rubber seal)
6	SP-WASHER FOR RATCHET-3127	Washer for 3127 series

## Spare parts for digital three points internal micrometer 3127-D1 series



Part NO.	Code	Description
1	SP-EXTENSION ROD-3127-4	150mm extension rod for 3127-63/-75/-88/-100 ( the screw size is M21X0.5)
	SP-EXTENSION ROD-3127-4-1	150mm extension rod for 3127-63/-75/-88/-100 ( the screw size is M18X0.5)
2	SP-MEASURING HEAD-3127-63	Measuring Head (3127-63/-63E, the screw size is M21X0.5)
	SP-MEASURING HEAD-3127-75	Measuring Head (3127-75/-75E, the screw size is M21X0.5)
	SP-MEASURING HEAD-3127-88	Measuring Head (3127-88/-88E, the screw size is M21X0.5)
	SP-MEASURING HEAD-3127-100	Measuring Head (3127-100/-100E, the screw size is M21X0.5)
	SP-MEASURING HEAD-3127-63-1	Measuring Head (3127-63/-63E, the screw size is M18X0.5)
	SP-MEASURING HEAD-3127-75-1	Measuring Head (3127-75/-75E, the screw size is M18X0.5)
	SP-MEASURING HEAD-3127-88-1	Measuring Head (3127-88/-88E, the screw size is M18X0.5)
	SP-MEASURING HEAD-3127-100-1	Measuring Head (3127-100/-100E, the screw size is M18X0.5)
3	SP-CHIP-3127	Display unit for 3127 series
4	SP-RATCHET-3127 -2	Measuring force device (20-100mm)
5	SP-MIC-COVER	Battery cover( include rubber seal)
6	SP-ANVIL SPRING-3227-63	Anvil spring for 3127-63/-75/-88/-100

## Spare parts for digital three points internal micrometer 3127-D2 series



Part NO.	Code	Description
1	SP-MEASURING HEAD-3127-125	Measuring Head (3127-125, the screw size is M21X0.5)
	SP-MEASURING HEAD-3127-150	Measuring Head (3127-150, the screw size is M21X0.5)
	SP-MEASURING HEAD-3127-175	Measuring Head (3127-175, the screw size is M21X0.5)
	SP-MEASURING HEAD-3127-200	Measuring Head (3127-200, the screw size is M21X0.5)
	SP-MEASURING HEAD-3127-225	Measuring Head (3127-225, the screw size is M21X0.5)
	SP-MEASURING HEAD-3127-250	Measuring Head (3127-250, the screw size is M21X0.5)
	SP-MEASURING HEAD-3127-275	Measuring Head (3127-275, the screw size is M21X0.5)
	SP-MEASURING HEAD-3127-300	Measuring Head (3127-300, the screw size is M21X0.5)
	SP-MEASURING HEAD-3127-125-1	Measuring Head (3127-125, the screw size is M18X0.5)
	SP-MEASURING HEAD-3127-150-1	Measuring Head (3127-150, the screw size is M18X0.5)
	SP-MEASURING HEAD-3127-175-1	Measuring Head (3127-175, the screw size is M18X0.5)
	SP-MEASURING HEAD-3127-200-1	Measuring Head (3127-200, the screw size is M18X0.5)
	SP-MEASURING HEAD-3127-225-1	Measuring Head (3127-225, the screw size is M18X0.5)
	SP-MEASURING HEAD-3127-250-1	Measuring Head (3127-250, the screw size is M18X0.5)
	SP-MEASURING HEAD-3127-275-1	Measuring Head (3127-275, the screw size is M18X0.5)
SP-MEASURING HEAD-3127-300-1	Measuring Head (3127-300, the screw size is M18X0.5)	
2	SP-CHIP-3127	Display unit for 3127 series
3	SP-RATCHET-3127-3	Measuring force device (100-300mm)
4	SP-EXTENSION ROD-3127-5	150mm Extension rod for 3127-125/-150/-175/-200/-225/-250/-275/-300 (the screw size is M21X0.5)
	SP-EXTENSION ROD-3127-5-1	150mm Extension rod for 3127-125/-150/-175/-200/-225/-250/-275/-300 (the screw size is M18X0.5)
5	SP-MIC-COVER	Battery cover( include rubber seal)
6	SP-ANVIL SPRING-3227-D	Anvil spring for 3127(100-300mm), in pairs(left-hand and right-hand)