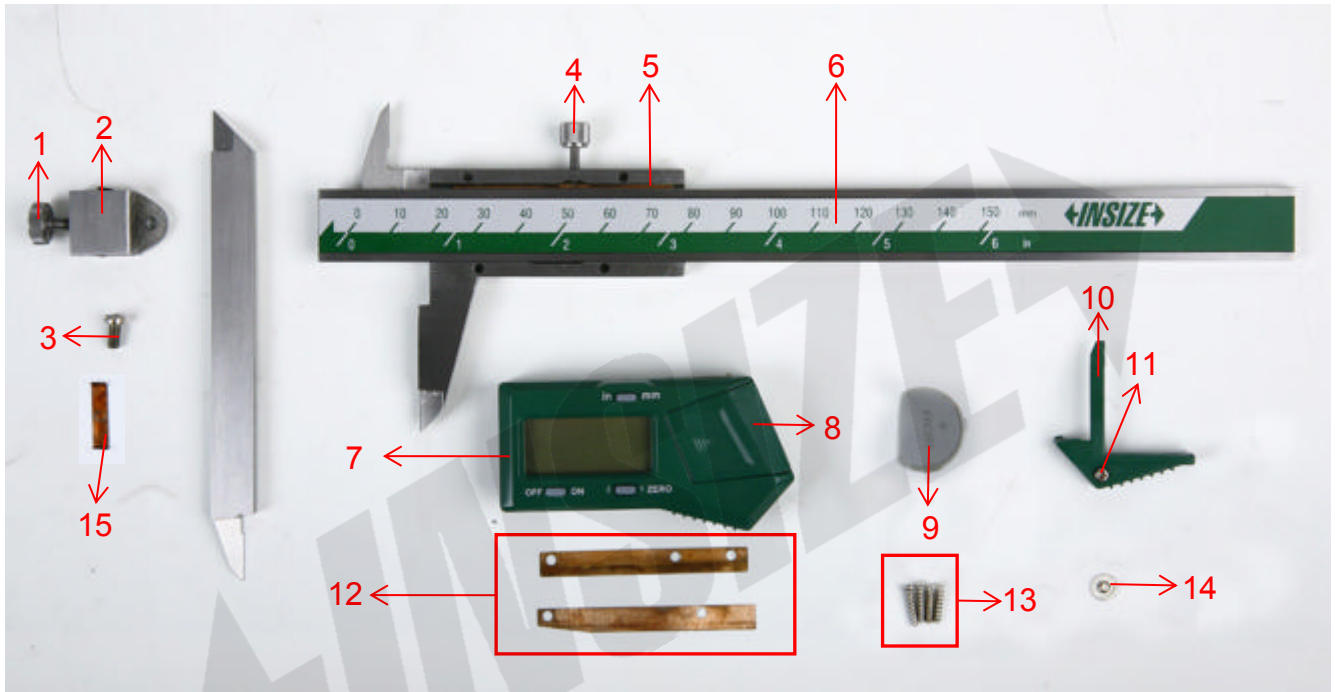


Spare parts for digital caliper 1186 series



Part NO.	Code	Description
1	SP-LOCK SCREW-1186	Jaw locking screw
2	SP-CLAMP-1186-1	Jaw clamp for 1186-150A-200A
	SP-CLAMP-1186-2	Jaw clamp for 1186-300A
3	SP-FIXED-SCREW-1186	Fixed screw for clamp(Part No.2)
4	SP-LOCK-D1	Locking screw(-150A-200A-300A)
5	SP-STRIP-1112	Copper strip
6	SP-STICKER-C150	Sticker(-150A)
	SP-STICKER-C200	Sticker(-200A)
	SP-STICKER-C300	Sticker(-300A)
7	SP-CHIP-1108-6	Display unit for 1186 series(include part NO. 8 and 9)
8	SP-COVER-1108	Battery cover
9	SP-GASKET-1108	Rubber gasket
10	SP-SUPPORT-1108-4W	Support without thumb roller (-150/-200)
	SP-SUPPORT-1108-5W	Support without thumb roller (-300)
11	SP-SUPPORT SCREW-1108	Support fixed screw(0.05 thickness)
12	SP-COPPER BACKING-1108-2	Copper backing
13	SP-CHIP SCREW-1108	Chip fixed screw
14	SP-STOP-D6	Stop screw
15	SP-COPPER-SHEET-1192	Copper sheet