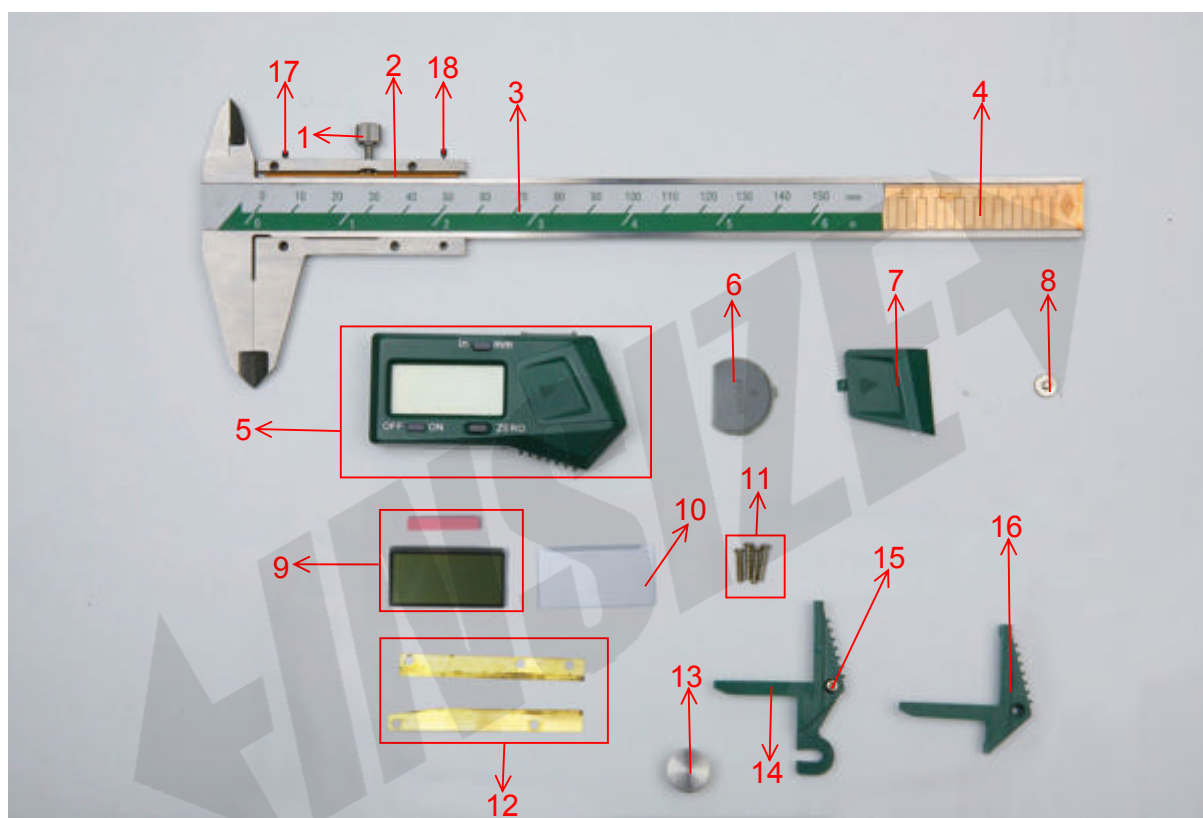


Spare parts for digital caliper 1108 series



Part NO.	Code	Description
1	SP-LOCK-D1	Locking screw (-150/-200/-300)
2	SP-STRIP-1112	Copper strip
3	SP-STICKER-C150	Sticker (-150)
	SP-STICKER-C200	Sticker (-200)
	SP-STICKER-C300	Sticker (-300)
4	SP-FIXED GRID-1108-150	Fixed grid (-150)
	SP-FIXED GRID-1108-200	Fixed grid (-200)
	SP-FIXED GRID-1108-300	Fixed grid (-300)
5	SP-CHIP-1108	Display unit for 1108 series (include part NO. 6, 7, 9, 10)
6	SP-GASKET-1108	Rubber gasket
7	SP-COVER-1108	Battery cover
8	SP-STOP-D6	Stop screw
9	SP-DISPLAY SCREEN-1108	Display screen for 1108 series
10	SP-GLASS-1108	Glass
11	SP-CHIP SCREW-1108	Chip fixed screw
12	SP-COPPER BACKING-1108-2	Copper backing(0.05mm thickness)
13	SP-WHEEL-GL1	Thumb wheel for 1108-150 with 3.2mm thickness main scale
	SP-WHEEL-GL1-150	Thumb wheel for 1108-150 with 3.6mm thickness main scale
	SP-WHEEL-GL2	Thumb wheel for 1108-200 with 3.6mm thickness main scale
	SP-WHEEL-GL3	Thumb wheel for 1108-300 with 3.8mm thickness main scale
14	SP-SUPPORT-1108-3	Thumb wheel support (-150)
	SP-SUPPORT-1108-4	Thumb wheel support (-200)
	SP-SUPPORT-1108-5	Thumb wheel support (-300)
15	SP-SUPPORT SCREW-1108	Support fixed screw
16	SP-SUPPORT-1108-4W	Support without thumb roller (-150/-200)
	SP-SUPPORT-1108-5W	Support without thumb roller (-300)
17	SP-STRIP SCREW-1108-1	Strip screw in front
18	SP-STRIP SCREW-1108-2	Strip screw in back

Spare parts for digital caliper 1108 series



Part NO.	Code	Description
1	SP-LOCK-D1	Locking screw (-150/-200/-300)
2	SP-STRIP-1112	Copper strip
3	SP-STICKER-C150	Sticker (-150)
	SP-STICKER-C200	Sticker (-200)
	SP-STICKER-C300	Sticker (-300)
4	SP-CHIP-1108-6	Display unit for 1108 series (include part NO. 5)
5	SP-COVER-1108-1	Battery cover
6	SP-STOP-D6	Stop screw
7	SP-CHIP SCREW-1108	Chip fixed screw
8	SP-RUBBER STRIP-1108-1	Rubber strip for 1108 series
9	SP-COPPER BACKING-1108-2	Copper backing(0.05mm thickness)
10	SP-WHEEL-GL1	Thumb wheel for 1108-150 with 3.2mm thickness main scale
	SP-WHEEL-GL1-150	Thumb wheel for 1108-150 with 3.6mm thickness main scale
	SP-WHEEL-GL2	Thumb wheel for 1108-200 with 3.6mm thickness main scale
	SP-WHEEL-GL3	Thumb wheel for 1108-300 with 3.8mm thickness main scale
11	SP-SUPPORT-1108-6	Thumb wheel support (-150/-200)
	SP-SUPPORT-1108-7	Thumb wheel support (-300)
12	SP-SUPPORT SCREW-1108-1	Support fixed screw
13	SP-SUPPORT-1108-8W	Support without thumb roller
14	SP-STRIP SCREW-1108-1	Strip screw in front
15	SP-STRIP SCREW-1108-2	Strip screw in back
16	SP-BUTTON-1108-1	"On/off" button for 1108 series (the same as "in/mm" button)
	SP-BUTTON-1108-2	"Zero" button for 1108 series