

DATA
OUTPUT

preset buttons

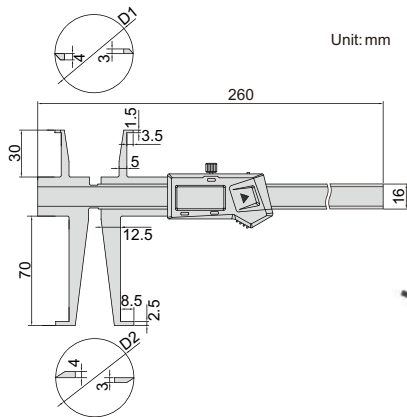


depth stop **6143** (optional)



- Measure diameter of grooves inside bores
- Resolution: 0.01mm/0.0005"
- Buttons: on/off, set, mm/inch, preset (+, -)
- Automatic power off, move the digital unit to turn on power
- Battery CR2032
- Data output
- Made of stainless steel
- Optional accessory: depth stop (code **6143**), data output cable (code **7306-20**, **7302-SPC5A/SPC5B**, **7305-SPC2A**)

Code	Range of upper jaw	Range of lower jaw	Accuracy
1176-150	9-150mm/0.35-6"	15-150mm/0.59-6"	±0.04mm



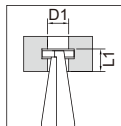
Unit: mm

DIGITAL INSIDE GROOVE CALIPER



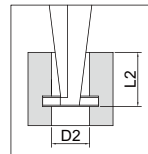
1176-150

sizes to be measured
(use upper jaws)



(mm)	
D1	L1
Ø9	<8
Ø10	<15
Ø11~150	<30

sizes to be measured
(use lower jaws)



(mm)			
D2	L2	D2	L2
Ø15	<10	Ø19	<42
Ø16	<18	Ø20	<50
Ø17	<26	Ø21	<58
Ø18	<34	Ø22~150	<70