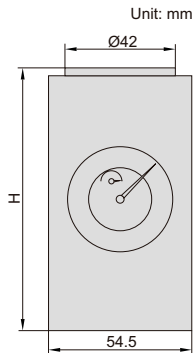


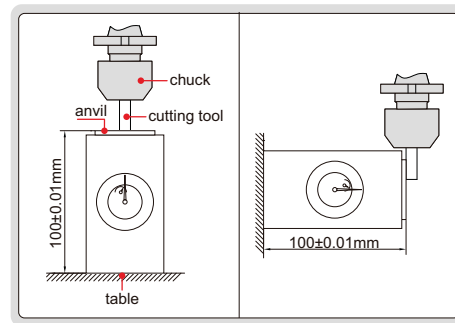
LOW TEST FORCE ZERO SETTER

INSIZE PLUS
MADE IN GERMANY

LOW TEST
FORCE



6555-100B



- Magnetic base
- Low test force, suitable for micro tools with minimum $\text{Ø}0.1 \text{ mm}$

Code	Height (H)	Accuracy	Test force
6555-100B	100mm	$\pm 10 \mu\text{m}$	1N (at 100mm)