

# DIGITAL VERTICAL MICROMETERS

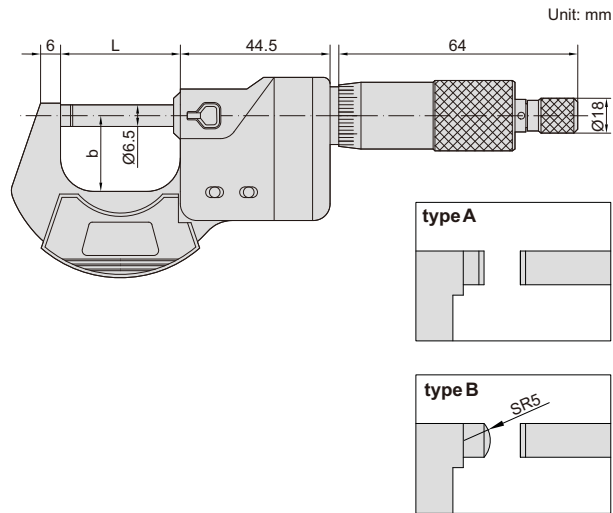
**INSPECTION  
CERTIFICATE**  
TRACEABLE TO DKD

DATA  
OUTPUT

**IP65**  
WATERPROOF



3565-25A



- Measure the thickness of plates for easy reading
- Resolution 0.001mm/0.00005"
- IP65 dust/waterproof
- Button function: on/off, set, mm/inch, ABS/INC
- Data output
- LR44 battery, automatic power off
- Carbide spindle tip
- Ratchet stop
- Supplied with setting standards (except 0-25mm/0-1")
- Optional accessory: data output cable (code 7315-, 7302-, 7305-)

(mm)

Code	Range	Type	Accuracy	L	b
<b>3565-25A*</b>	0-25mm/0-1"	A	±2µm	34.5	25
<b>3565-50A*</b>	25-50mm/1-2"	A	±2µm	59.5	32
<b>3565-25BA*</b>	0-25mm/0-1"	B	±2µm	34.5	25
<b>3565-50BA*</b>	25-50mm/1-2"	B	±2µm	59.5	32

\* Supplied with manufacturer inspection certificate traceable to DKD Germany