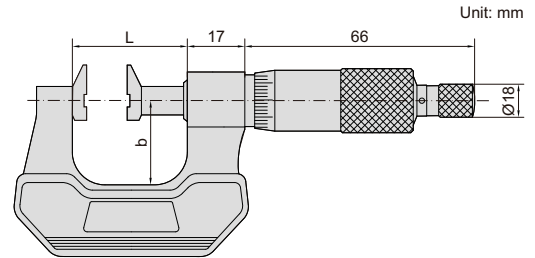
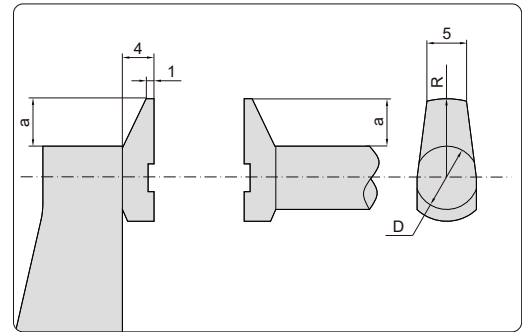
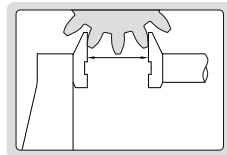
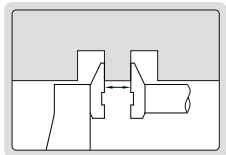


JAW TYPE MICROMETERS

NON-ROTATING SPINDLE



3283-25A



(mm)

Code	Range	Accuracy	L	a	b	R	D
3283-25A	0-25mm	4µm	34	6	24	10	8
3283-50A	25-50mm	4µm	59	6	32	10	8
3283-75A	50-75mm	5µm	85	6	45	10	8
3283-100A	75-100mm	5µm	110	6	57	10	8
3283-125A	100-125mm	6µm	138	9	70	15	12
3283-150A	125-150mm	6µm	163	9	82	15	12
3283-175A	150-175mm	7µm	188	9	95	15	12
3283-200A	175-200mm	7µm	214	9	107	15	12

- Graduation 0.01mm
- Non-rotating spindle
- Ratchet stop
- Supplied with setting standards (except 0-25mm)