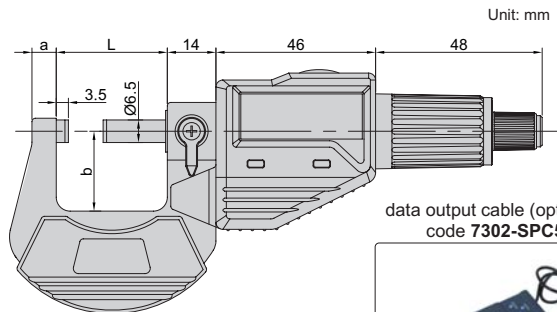


# DIGITAL OUTSIDE MICROMETER

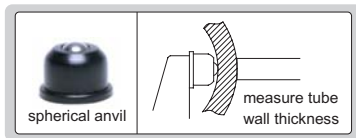


3109-25B

DATA  
OUTPUT



data output cable (optional)  
code 7302-SPC5



- Resolution 0.001mm/0.00005"
- Button function: on/off, set, mm/inch, ABS/INC
- Data output
- Battery CR2032, automatic power off
- Carbide measuring faces
- Friction thimble
- Supplied with spherical anvil
- Setting standards are included (except 0-25mm/0-1")
- Optional accessory: data output cable (code 7302-SPC5, only for 3109-25B)



(mm)

Code	Range	Accuracy	L	a	b
3109-25B*	0-25mm/0-1"	±2µm	31.5	7.0	23
3109-50B*	25-50mm/1-2"	±2µm	57.0	8.7	32
3109-75B*	50-75mm/2-3"	±3µm	82.5	7.5	44
3109-100B*	75-100mm/3-4"	±3µm	106.5	8.2	56

\* Supplied with manufacturer inspection certificate traceable to DKD Germany