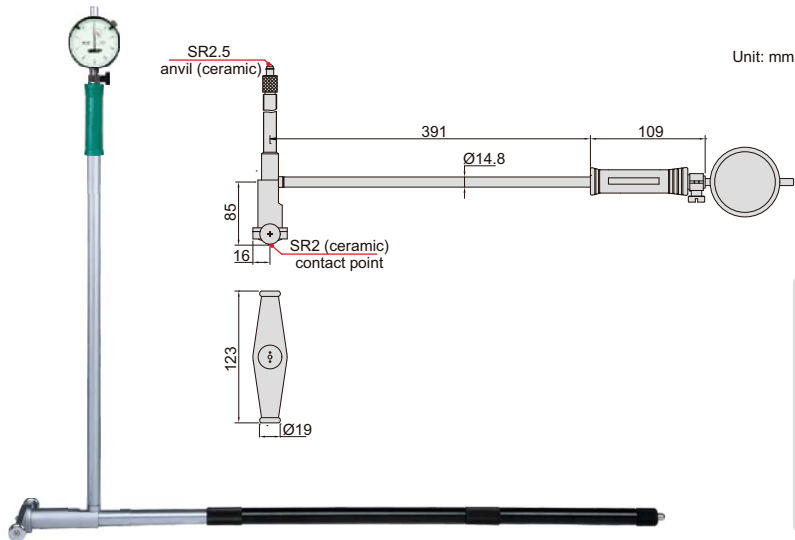


**ATTENTION: NOT SUITABLE
FOR 0.001MM DIAL INDICATORS**

BORE GAGE



2828-800A

- Optional accessory:
long handle (code **7351**)



Code	Range	Indicator	Accuracy	Repeatability
2828-800A	400-800mm	dial indicator code 2308-10FA , range 10mm, graduation 0.01mm	±0.025mm	0.003mm
2128-800A	400-800mm	digital indicator code 2108-10F , range 12.7mm/0.5", graduation 0.002mm/0.0001"	±0.025mm	0.003mm