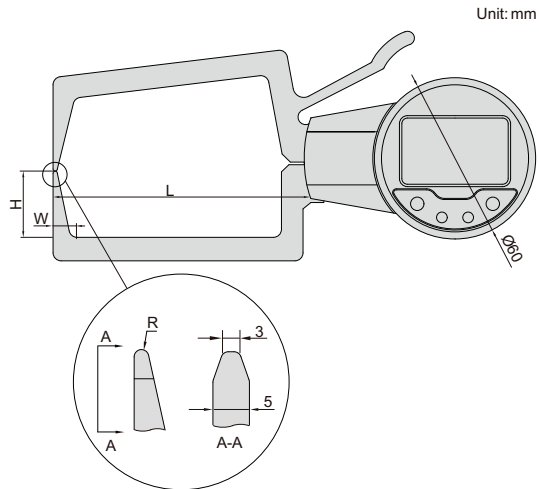


# DIGITAL EXTERNAL CALIPER GAGES



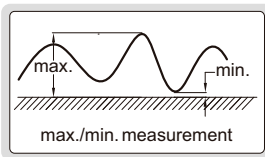
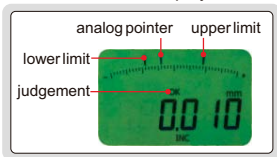
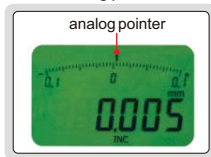
2131-21



analog pointer

tolerance display

max./min.



- Resolution: 0.005mm/0.0002"
- Reading in digit and analog
- Display can be rotated by 170°
- Button function:
  - tolerance Go and No-Go display,
  - data preset, max./min. measurement,
  - data holding, inch/metric conversion,
  - absolute/incremental measurement
- CR2032 battery, automatic power off
- Data output

(mm)

Code	Range	Accuracy	Repeatability	L	H	W	R
2131-21	0-20mm/0-0.8"	±0.03mm	0.01mm	80	25	6.5	R0.5
2131-31	10-30mm/0.4-1.2"	±0.03mm	0.01mm	80	25	6.5	R0.5
2131-41	20-40mm/0.8-1.6"	±0.03mm	0.01mm	80	25	6.5	R0.5
2131-51	30-50mm/1.2-2.0"	±0.03mm	0.01mm	80	25	6.5	R0.5
2131-61	40-60mm/1.6-2.4"	±0.03mm	0.01mm	80	25	6.5	R0.5