

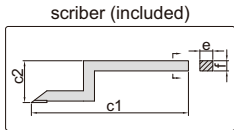
DIGITAL HEIGHT GAGES

ATTENTION:
LOW ACCURACY

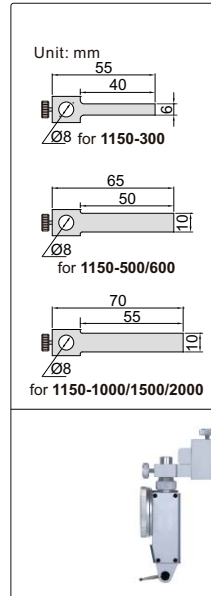
ATTENTION: CAN NOT USE CLAMP
FOR PROTRACTORS (CODE 2372-CLAMP)

DATA
OUTPUT

- Resolution: 0.01mm/0.0005"
- Buttons: on/off, zero, mm/inch, ABS/INC, data hold, TOL., set
- ABS/INC is for absolute and incremental measurement
- TOL is for tolerance measurement
- Carbide tipped scriber
- Made of stainless steel (except the base)
- LR44 battery
- Data output
- Supplied with dial test indicator holder
- Supplied with dust cover (except 1150-1500/2000)
- Optional accessory: data output cable (code 7302-SPC7, keyboard format)



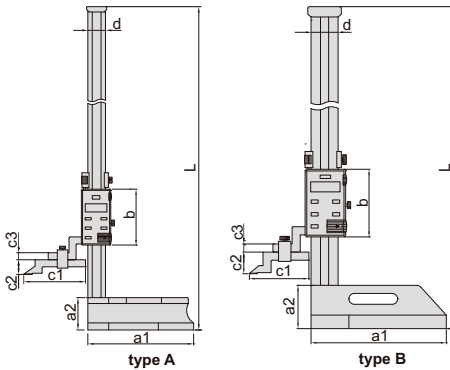
dial test indicator
holder (included)



1150-1000



1150-500



(mm)

Code	Range	Type	Accuracy	L	a1	a2	b	c1	c2	c3	d	e	f
1150-300	0-300mm/0-12"	A	±0.05mm	470	135	45	80	76	25	10	23	6	8
1150-500	0-500mm/0-20"	A	±0.06mm	720	180	55	95	103	25	12	30	10	12
1150-600	0-600mm/0-24"	A	±0.06mm	820	180	55	95	103	25	12	30	10	12
1150-1000	0-1000mm/0-40"	B	±0.08mm	1275	250	80	125	110	39	15	50	10	15
1150-1500	0-1500mm/0-60"	B	±0.12mm	1790	280	80	125	110	39	15	50	10	15
1150-2000	0-2000mm/0-80"	B	±0.16mm	2290	280	80	125	110	39	15	50	10	15

dust cover
(included, except
1150-1500/2000)

